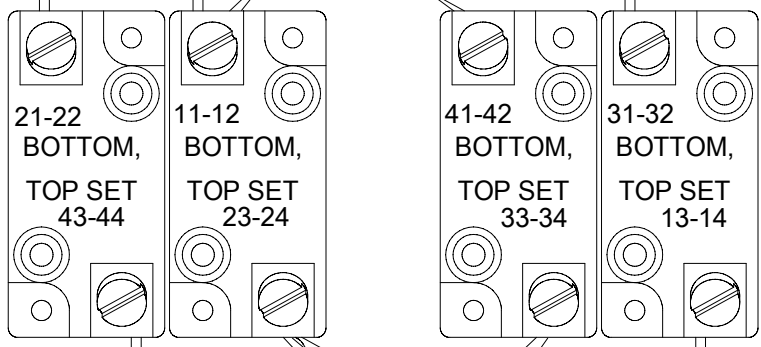
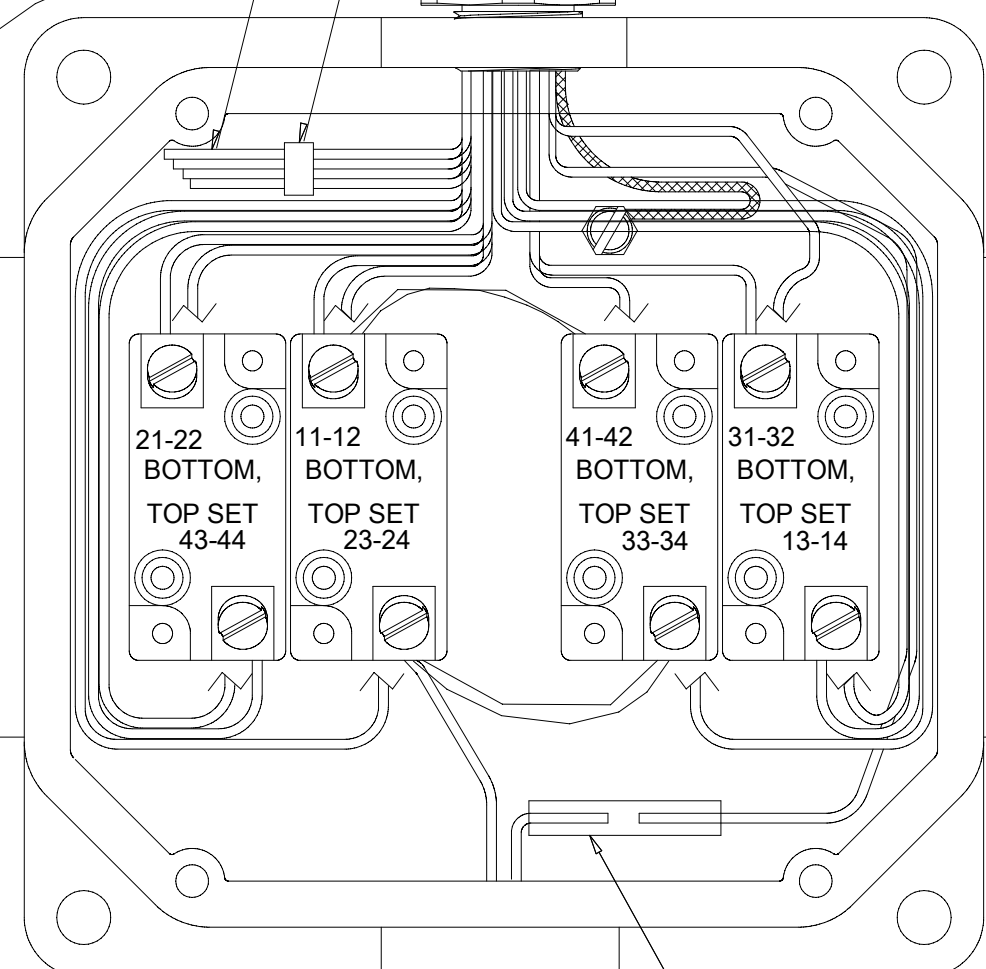
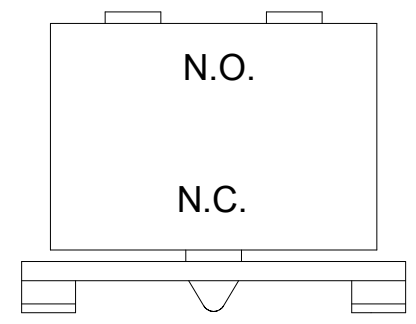
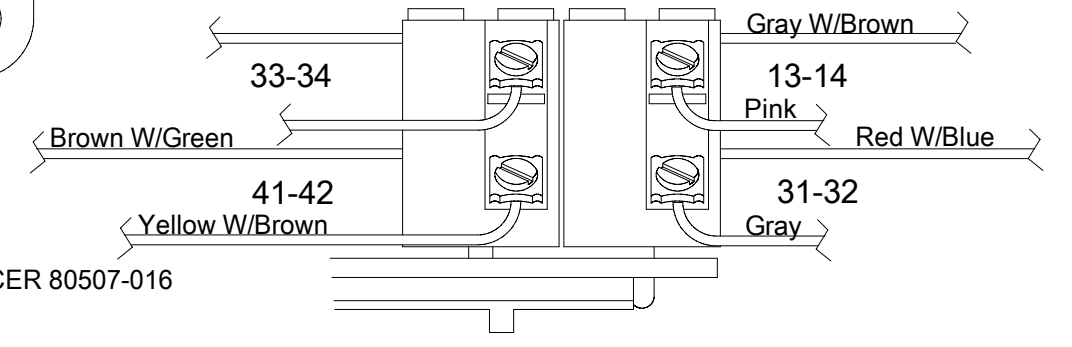
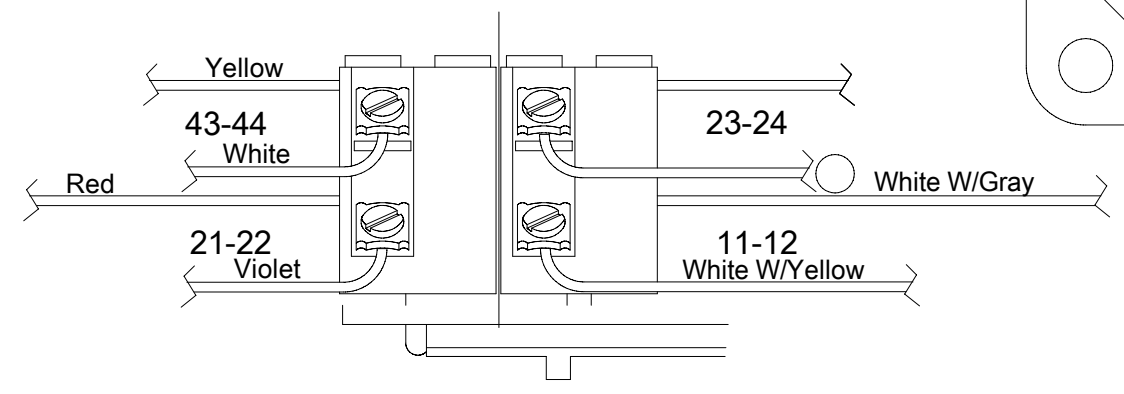


01006-010 SHRINK TUBE (1)
01006-011 SHRINK TUBE (4)

19 PIN
CONNECTOR
80507-145



WIRING DIAGRAM SHOWN
A-94654-214



BUTT SPLICER 80507-016

REVISIONS
7-30-07 GLH RELEASED ECN 07017

REES, INC.			
PO BOX 652, FREMONT, IN 46737			
WIRING DIAGRAM, 94954-214			
MATERIAL			
PN-308	TOLERANCES UNLESS OTHERWISE SPECIFIED		DRN BY GLH
	.XX = +/- .01		DATE 7-23-07
	.XXX = +/- .005		PART NO 94954-214
	ANGLES = +/- 1 °		DWG NO B 94954
	CHK'D BY	SCALE	SHT NO 214